

MP-D Mechanical Diaphragm Dosing Pump

The main parts of mechanical diaphragm metering pump are made of precision casting and numerical control processing. The structural design of the liquid receiving end ensures that the pump will not leak during operation. The material of the driving parts is sturdy and durable.

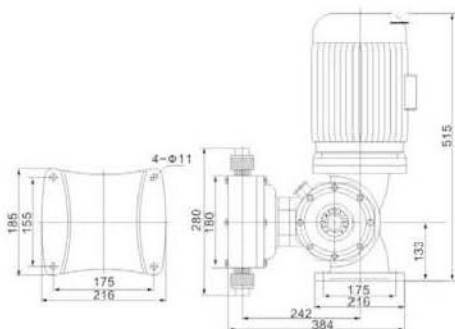
Due to the compact design, The equipment is easy to operate. Liquid flow can be easily adjusted by flow adjusting knob, and it is convenient for installation and maintenance.

Standard: Pump Head PVC Motor 380V 50Hz

Option: Pump Head 304、316、PTFE

Motor 420V、220V、110V、

EX-Proof Motor x Variable Frequency Motor



• Performance Parameters

MODEL	Max Flow rate (L/H)	Max Pressure (Mpa)	Stroke Speed (SPM)	Motor Powers (W)	Connections (mm)	Weight (KG)
MP-D 380/0.6	380	1.0	48	0.75	DN25	40
MP-D 500/0.6	500	1.0	96			
MP-D 650/0.6	650	0.7	96			
MP-D 850/0.5	850	0.5	144	1.1		
MP-D 1000/0.4	1000	0.4	144	1.5	DN40	50
MP-D 1400/0.3	1400	0.3	144			
MP-D 1800/0.3	1800	0.3	144			