

Water Treatment



HYDRA BX

ELECTROMAGNETIC DOSING PUMPS



Main characteristics

- Analogue electromagnetic dosing pump with constant dosing, manually adjustable by control knob on the front panel. Power-on led indicator
- Head PDF-C *
- Ceramic balls reliability of dosing and chemical compatibility
- PTFE DIAPHRAGM resistance and compatibility with all chemicals
- Flow rate manual adjustment from 0÷100%
- Manual priming valve
- Wall mounting with fixing bracket

* PVDF-C: mixture of PVC and PVDF. Mechanical and chemical properties higher than PVC

Water Treatment



Performance data

PERFORMANCES TEST HAS BEEN DONE AT AMBIENT TEMPERATURE, WITH WATER, AT 1,5 mt SUCTION HEIGHT

FLOW RATE	PRESSURES	CC/IMP.	CONNECTIONS	STROKES/MIN.	DIMENSIONS	PROTECTION	WEIGHT	ABSORPTION	POWER
5 l/h	8 bar	0.52	4x6	160	190,5 x 92 x 135,5	IP65	1,5 Kg	12 W	230 Vac

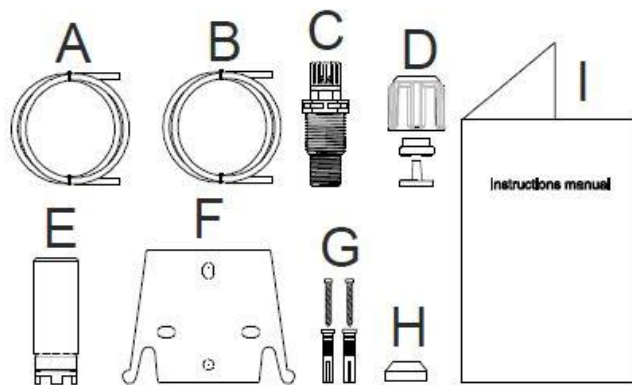
Power supply: 230 Vac 50 Hz Power consumption 12 W HY.BL, HY.MA, HY.BC, HY.MT, HY.PR 100 to 240 Vac, 50/60 Hz (With reduced power consumption as the solenoid only draws the required power to activate the pump, based on working conditions) Power consumption 14 W.

Main applications

- Electroplating industry, Pickling, Degreasing and metal treatments generally
- Cooling Tower
- Potable water application
- Reverse osmosis application
- Paper industry
- Ceramic industry

Installation Kit

- A. Opaque hose for connecting the pump's outlet to the injection point
- B. Transparent hose for suction and for connecting the bleeding valve up for manual priming
- C. Injection fitting
- D. Hose connection kit
- E. Bottom filter
- F. Wall mounting bracket
- G. Anchors for securing the pump to the wall
- H. Screw protection caps
- I. Instructions Manual



Water Treatment

Accessories



AC.VS



- Back-pressure valve up to 10 bar
- PTFE diaphragm

AC.VIE



- Extractable injection valve PVC 1/2" g.m. IN - 1/2" g.m. OUT



- Extractable injection valve with ball valve PVC 1/2" g.m. IN - 1/2" g.m. OUT

PRIMING AID



- Capacity: 300 ml
- PVC body
- FPM seals
- Connections: 4x6mm – 8x12mm

AC.ST



- Horizontal base mounting bracket

AC.VM PVDF

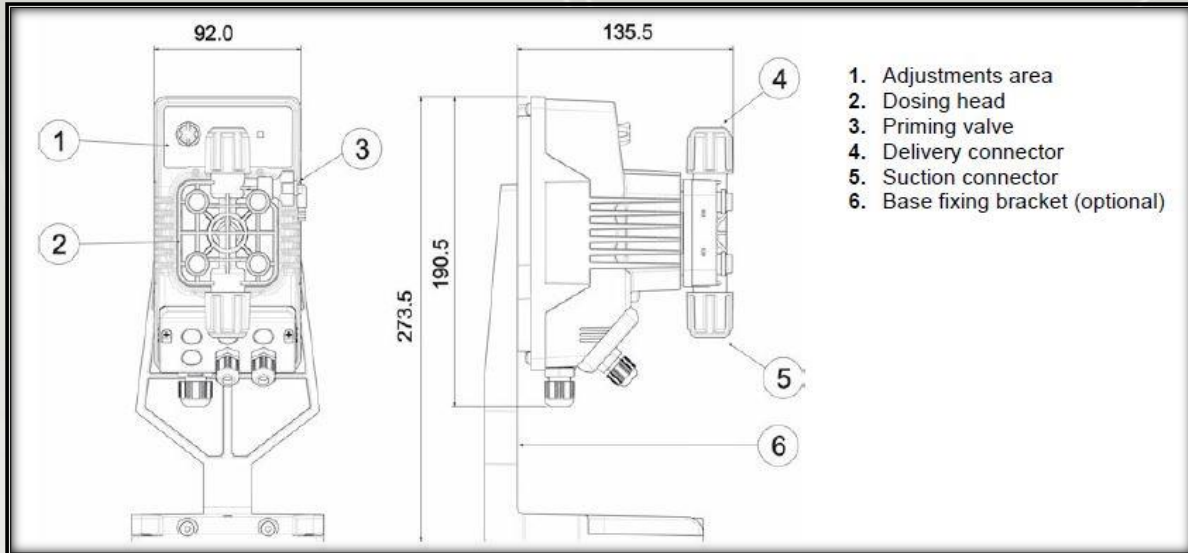


- Multifunction valve, antisiphon, backpressure, safety
- PVDF body, PTFE membrane
- Adjustable Pressure 0-5 bar • Relief Pressure 0-18 bar

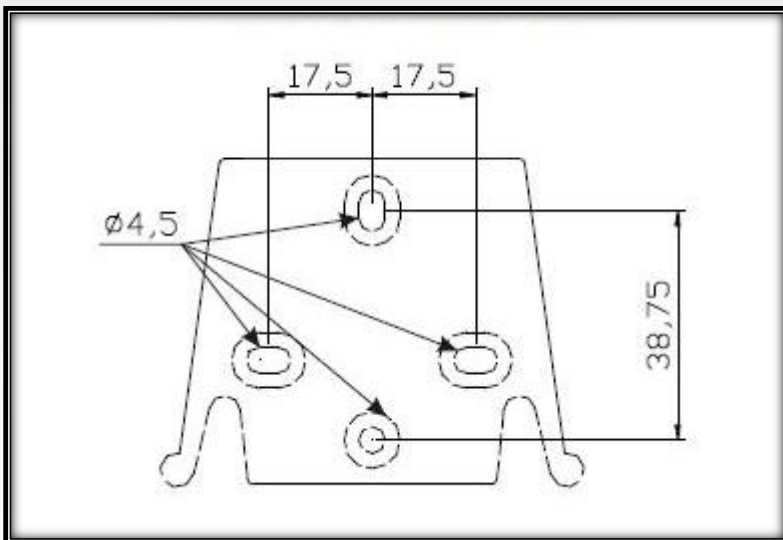
Water Treatment



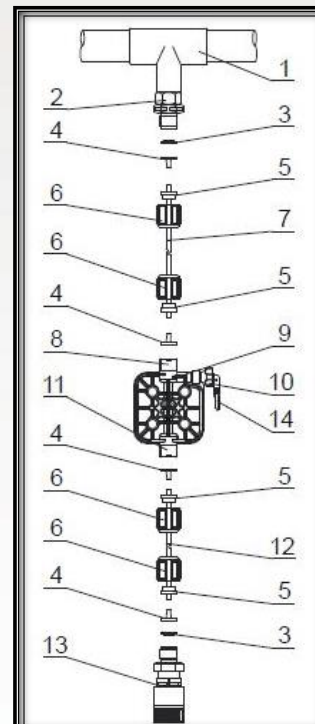
Dimensional drawings



Fixing templates



Plumbing



- 1-Point injection
- 2-Fitting injection
- 3-Seal
- 4-Pipe holder
- 5-Pipe clamp
- 6-Ring nut
- 7-Delivery hose
- 8-Delivery valve
- 9-Body Pump
- 10-Valve bleed
- 11-Suction valve
- 12-Suction hose
- 13-Filter bottom
- 14-Connector bleed valve