

Kosmo Series

MM2

Mechanical-return Diaphragm Metering Pump

MM2 pumps are electric motor-driven pumps with mechanical diaphragm liquid ends and mechanical return.

FEATURES

■ Flow rate	80 - 2,300 L/H
■ Max pressure	10 BAR
■ Stroke rate	43/86/131/175 Stroke/minute
■ Stroke length	7/8/9/15 mm
■ Diaphragm diameter	124/140/157/179 mm
■ Motor	0.55/0.75/1.1KW
■ Material of pump head	SS 316L, PVC, PVDF
■ Max temperature	40°C



SPECIFICATIONS

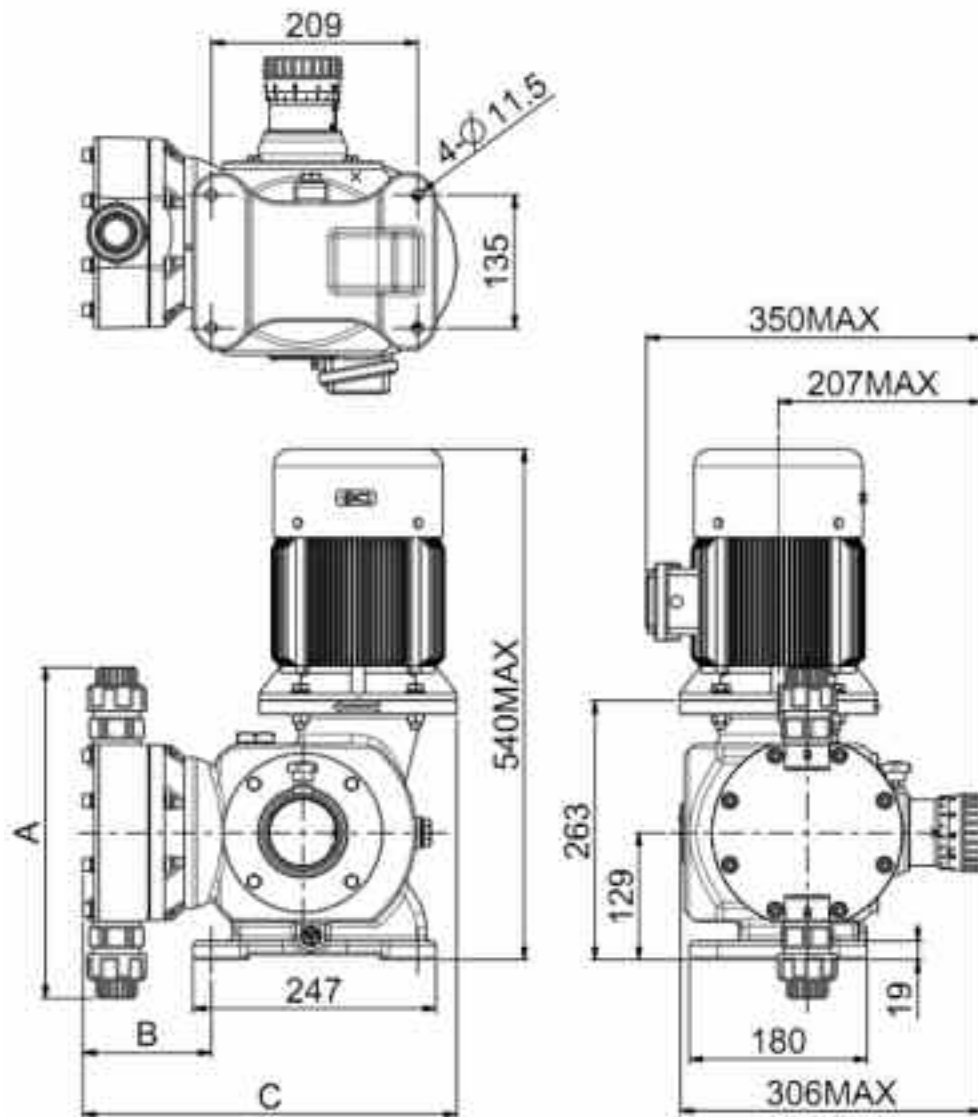
Model	Diameter [mm]	Stroke length [mm]	Stroke rate [stroke/min]	Flow rate [L/H]	Max pressure [bar]	Connections			Motor [kw] Pole	Gross weight [kg] SS316L PVC PVDF	Wooden box size (LxWxH) [mm]
						SS316L	PVC	PVDF			
MM2F124D**C40600	124	7	43	80	10	G3/4		0.55/4	56	700x500x750	
MM2F124E**C40600			86	180							
MM2F124F**C40600			131	250							
MM2F124G**C40600			175	350							
MM2G124G**C40600	8	450	7	G1		0.55/4	60				
MM2F140G**C40600	7	500									
MM2G140G**C40600	8	600	4	G1 1/2		0.75/4	68				
MM2H157F**C40600	157	9						131	720		
MM2H157G**C40600								175	1,000		
MM2H179G**D40600	179	15						131	1,200		
MM2I179F**D40600			175	1,600							
MM2I179G**E40600			175	2,300							

1.** refers to option of pump head material : SS316L(21/24);PVC(31/34);PVDF(41/44)

2. With exception to standard motor, it is also can be equipped with frequency-conversion motor or explosive-proof motor.

3. Test with water @ 20°C @ 50 Hz;Flow rate values with motor at 50Hz. Multiply by 1.2 for 60 Hz

INSTALLATION DRAWING



pump head Material	Diameter=124			Diameter=140			Diameter=157			Diameter=179						
	Connection	A	B	C	Connection	A	B	C	Connection	A	B	C				
PVC	DN20	293	123	372	DN25	316	129	377	DN25	334	130	379	DN40	424	148	395
PVDF	G3/4" F	293	123	372	G1" F	316	129	377	G1" F	334	130	379	G1 1/2" F	424	148	395
SS316L	G3/4" F	216	108	357	G1" F	251	130	378	G1" F	295	132	381	G1 1/2" F	382	160	407

LIQUID END MATERIALS

Material	Standard		
	21/24	31/34	41/44
Pump head	SS316L	PVC	PVDF
Diaphragm	PTFE		
Seal	FPM/EPDM		
Ball	SS316L	Ceramic	
Ball Seat		PTFE	