

Tekba Series

Solenoid Dosing Pump

Tekba is a digital solenoid dosing pump, operating with a micro-processor to manage the dosing. It is featured by simple and reliable operation, including four models: EMS, EML, EMC and EMM.

Features:

- Max pressure: 20bar;
- Max flow rate: 110L/H
- Pump head: PVDF

Applications:

Urban water treatment & wastewater treatment, Cl₂ dosing, RO, food, drink and pharmacy.



Compatible

PVDF pump head and ceramic ball valve as standard

- **PVDF** is suitable for almost all chemical used in the Industrial, Waste Water Treatment and potable Water applications
- The use of **Ceramic balls** as standard improves the pumping reliability and the chemical compatibility of the whole liquid end



Reliable

Long life diaphragm tested to give 5 years working life

- The advanced design and manufacturing process allows the diaphragm to have a unique life expectancy
- Made of pure solid PTFE, the diaphragm is compatible with most chemicals
- The diaphragm has been tested over a period of 5 years giving superior results
- Routine diaphragm replacement is no longer a requirement



Steady Dosing Performance

Stabilized Multi Power Supply 100÷240 Vac 50/60 Hz with reduced consumption

Dosing model

The flow rate is adjustable manually or automatically (pulse or 4-20mA input)
The pump head has a manual priming valve.

Liquid end

Pump head	PVDF
Ball	Ceramic
Seal	FPM/EPDM
Diaphragm	PTFE

Installation

Horizontally mounted
Wall-mounted (optional)



EMS Manual control

Flow rate manually adjustable by control dial on the front panel, Power-on LED indicator, with indication of frequency percentage (P%) and stroke number (F)



EML Manual control with level control input

Flow rate manually adjustable by control dial on the front panel, Power-on LED indicator, with indication of frequency percentage (P%) and stroke number (F), level control input



EMC Automatic control (digital pulse signal input)

With operation status indication, level control input, have two dosing models:

- **Constant** The pump doses the rate selected with the button
- **Proportional** The pump doses proportionally to the digital pulse input signal



EMM Automatic control (4-20mA input)

With operation status indication, level control input, have two dosing models:

- **Constant** The pump doses the rate selected with the button
- **Proportional** The pump doses proportionally to 4-20mA current signal input

Pumps identification

Solenoid diaphragm pump

Hydraulic diaphragm pump

Mechanical diaphragm pump & plunger pump

Version		
EMS	Flow rate by manual control	
EML	Digital	
EMC		Flow rate by manual control, with level control input
EMM		Flow rate by manual control Flow rate by automatic control: digital pulse signal input (water meter pulse signal), with level control input
	Flow rate by manual control Flow rate by automatic control: 4-20mA current signal input, with level control input	

Model	Pressure [bar]	Flow rate [l/h]	Stroke capacity [cc/stroke]	Ø Connections IN / OUT [mm]	Frequency max [stroke/min]	Consumption [W]	Weight [Kg]	Carton size (LxWxH)
600	20	2.5	0.35	4 / 6 suc 4 / 7 dis	120	20	3.9	285×250×210 mm
	18	3	0.42					
	14	4.2	0.58					
	8	7	0.97					
603	12	4	0.42	4 / 6	160	20	3.4	
	10	5	0.52					
	8	6	0.63					
	2	8	0.83					
800	16	7	0.38	4 / 6	300	40	4.4	
	10	10	0.55					
	5	15	0.83					
	1	18	1.00					
803	5	20	1.11	8 / 12	300	40	4.4	
	4	32	1.78					
	2	62	3.44					
	0.1	110	6.11					

Stroke length adjustment

N	Single(frequency)
M	Double(frequency+length)

Power supply

N	100-240Vac, 50/60Hz
----------	---------------------

Liquid end material

H	Pump head: PVDF	Ball: Ceramic	Diaphragm: PTFE
----------	-----------------	---------------	-----------------

Installation kit

P	PVDF
----------	------

Seals

0	FPM
1	EPDM

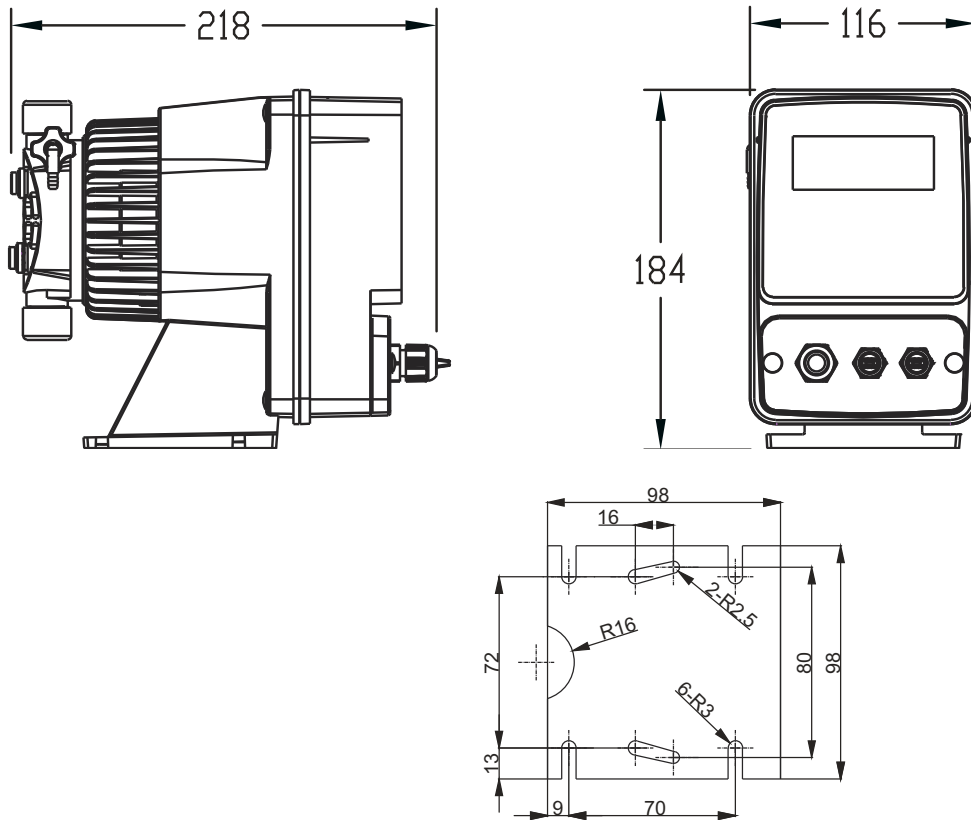
Options

6B00	Option
-------------	--------

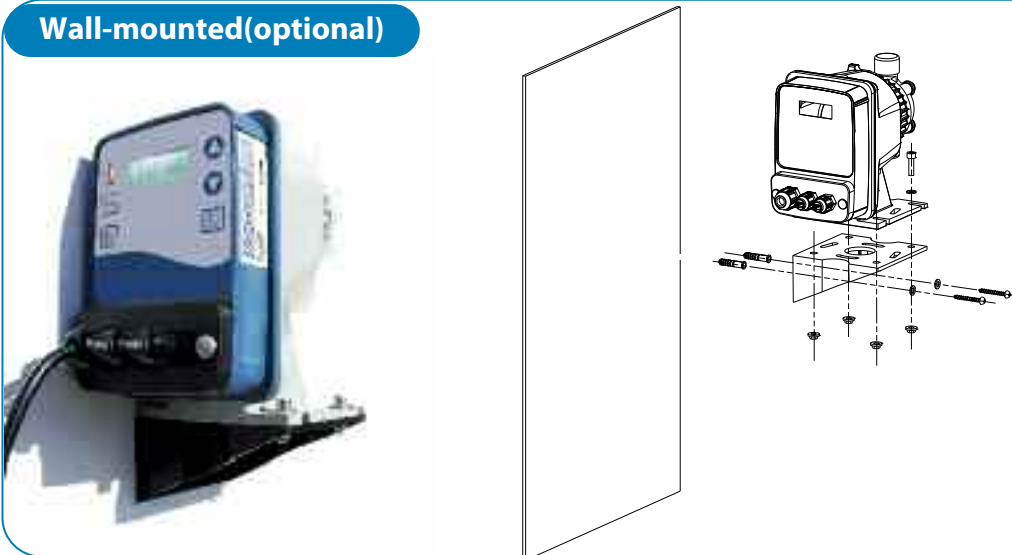
EML | 603 | N | N | H | P | 0 | 6B00

Technical features

Dimensional drawing



Wall-mounted(optional)



Installation kit

The pumps are supplied complete with the indispensable accessories for their correct installation as: Foot filter, injection valve, PE tube (delivery), PVC tube (suction).



Suction tube
(PVC,4m)



Delivery tube
(PE,2m)



Injection valve(PVDF)
(G3/8"and G1/2")



Foot valve(PVDF)