

**LGP**

# HYDRAULIC METERING PUMP



**ZHEJIANG LIGAO PUMP TECHNOLOGY CO.,LTD**

Add: No. 227, Huishu Road, Liangshui Industry, Linhai, Zhejiang, China

Zip Code: 317000

Tel: 0086-576-86289780

Fax: 0086-576-85668297

Email: sales@ligaopumps.com

CE ISO9001 ISO14001



JYSX



JYSZ



JYSR



JYSD



JYDR



JYT

## Hydraulic Pumps

LGP hydraulic diaphragm pump consists of three main devices:  
(1) driving device (2) adjusting device (3) liquid delivery device

The crankshaft which reduces motor rotation speed by worm and worm gear makes the piston reciprocate in the hydraulic oil chamber. LGP hydraulic diaphragm pumps are suitable for corrosive, vapor, flammable, explosive or toxic solutions. It can also transport suspended liquid or moderately viscous liquid.

### Features:

- Each pump is with internal pressure relief valve protecting pump from over pressure conditions
- The flow rate can adjusted via unique adjusting mechanism from 0-100%
- The adjustment can be carried when pump is in operation or at stop
- The steady state accuracy is  $\pm 1\%$  from 30%-100% of the maximum output
- Automatic operation is achieved by variable speed drive

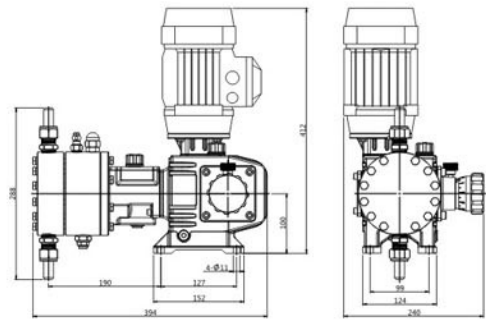
### Materials:

- Pump Head: SS304, SS316
- Pump Case: Cast Iron
- Diaphragm: PTFE
- Valves: SS304, SS316
- Valve Balls: SS304, SS316, Ceramic



Double diaphragm with diaphragm rupture detecting system is available to prevent accident caused by mixture of hydraulic oil and the liquid after diaphragm ruptures

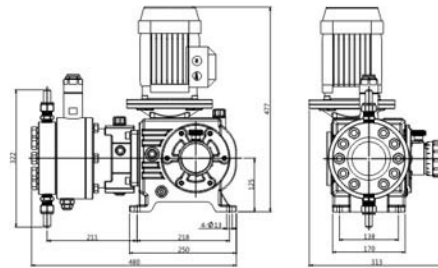
## JYSX Series



### Parameter Table

Model	50Hz			60Hz			Pressure		Piston Dia. (mm)	Diaphragm Dia. (mm)	Stroke Length (mm)	Power KW(HP)	Inlet&Outlet Size	Connection Size
	Flow (lph)	Flow (gph)	SPM	Flow (gph)	Flow (lph)	SPM	(Bar)	(Psi)						
JYSX 10/14	10	2.6	80	3.2	12	96	140	2030	12	67	20	0.37(0.5)	DN6	6*12 mm (union for welding)
JYSX 15/14	15	4.0		4.8	18		140	2030	12	67				
JYSX 27/7.6	27	7.1		8.6	32		76	1102	16	67				
JYSX 40/5.0	44	12		14	53		50	725	20	80				
JYSX 65/3.2	68	18	120	22	82	144	32	464	25	80	20	0.37(0.5)	DN10	10*16 mm (union for welding)
JYSX 86/2.5	86	23		27	103		25	363	28	97				
JYSX 112/2.0	112	30	36	134	20	290	32	97						
JYSX 135/1.6	135	36	43	162	16	232	35	97						
JYSX 160/1.3	160	42	51	192	13	189	38	97						
JYSX 180/0.8	180	48	57	216	8	116	40	97						

## JYSZ Series

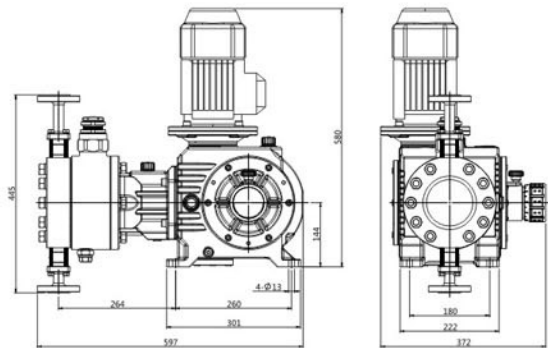


### Parameter Table

Model	50Hz			60Hz			Pressure		Piston Dia. (mm)	Diaphragm Dia. (mm)	Stroke Length (mm)	Power KW(HP)	Inlet&Outlet Size	Connection Size
	Flow (lph)	Flow (gph)	SPM	Flow (gph)	Flow (lph)	SPM	(Bar)	(Psi)						
JYSZ 10/20	10	2.6	96	3.2	12	115	200	2900	12	80	25	0.75(1)	DN6	6*12 mm (union for welding)
JYSZ 15/20	15	4.0		4.8	18		200	2900	12	80				
JYSZ 35/10	35	9.2		11	42		100	1450	16	92				
JYSZ 45/9.0	45	12		14	54		90	1305	18	92				
JYSZ 60/7.2	58	15		18	70		72	1044	20	92	25	0.75(1)	DN10	10*16 mm (union for welding)
JYSZ 70/6.0	72	19		23	86		60	870	22	110				
JYSZ 100/3.2	100	26	144	32	120	173	40	580	25	110				
JYSZ 130/2.8	135	36		43	162		32	464	30	110	25	0.75(1)	DN15	15*24 mm (union for welding)
JYSZ 150/2.8	150	40		48	180		28	406	32	130				
JYSZ 200/2.2	200	53		63	240		22	319	36	130				
JYSZ 240/1.8	240	63		76	288		18	261	40	130	25	0.75(1)	DN15	15*24 mm (union for welding)
JYSZ 300/1.4	300	79		95	360		14	203	45	130				
JYSZ 400/1.1	400	106		127	480		10	145	50	130	25	0.75(1)	DN15	DN15 RF



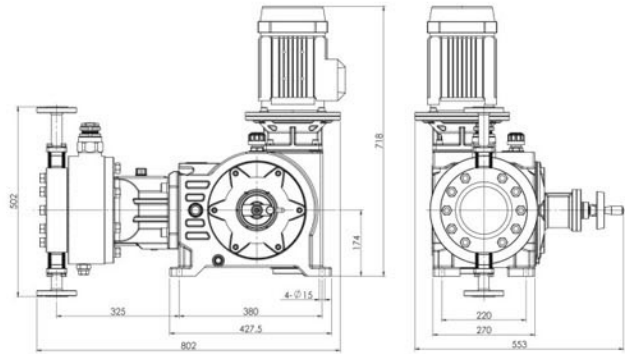
## JYSR Series



### Parameter Table

Model	50Hz			60Hz			Pressure		Piston Dia. (mm)	Diaphragm Dia. (mm)	Stroke Length (mm)	Power KW(HP)	Inlet&Outlet Size	Connection Size
	Flow (lph)	Flow (gph)	SPM	Flow (gph)	Flow (lph)	SPM	(Bar)	(Psi)						
JYSR 28/22	28	7.4	96	8.9	34	115	220	3190	16	92	30	1.5(2)	DN10	10*16 mm (union for welding)
JYSR 42/22	42	11	144	13	50	173	220	3190	16	92				
JYSR 50/18	56	15		18	67		180	2610	18	92				
JYSR 70/14	70	18		22	84		140	2030	20	110				
JYSR 85/12	85	22		27	102		120	1740	22	110				
JYSR 110/9.0	110	29	144	35	132	173	90	1305	25	110				
JYSR 165/6.5	165	44		52	198		65	943	30	130				
JYSR 190/5.6	190	50		60	228		56	812	32	130				
JYSR 250/4.5	250	66		79	300		45	653	36	130				
JYSR 300/3.6	300	79	144	95	360	173	36	522	40	150				
JYSR 380/2.8	380	100		120	456		28	406	45	150				
JYSR 480/2.3	480	127		152	576		23	334	50	150				
JYSR 580/1.8	580	153		184	696		18	261	55	150				
JYSR 700/1.6	700	185	144	222	840	173	16	232	60	150				

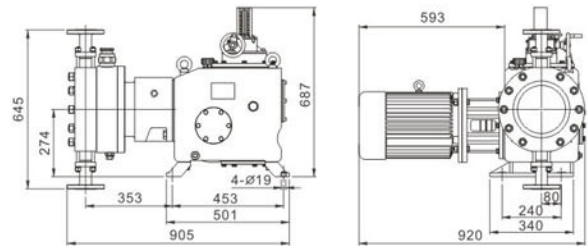
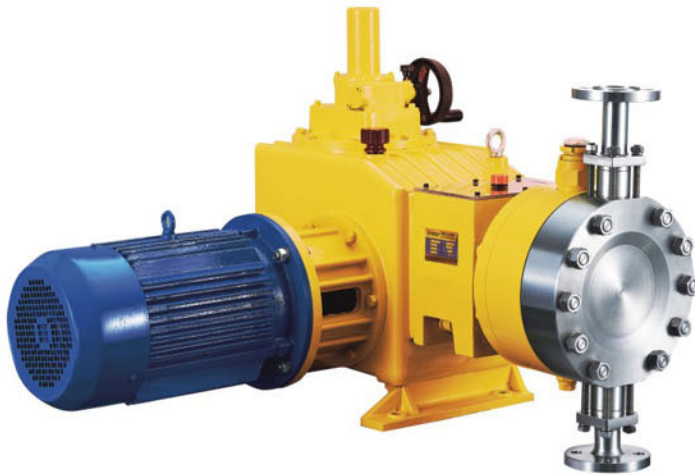
## JYSD Series



### Parameter Table

Model	50Hz			60Hz			Pressure		Piston Dia. (mm)	Diaphragm Dia. (mm)	Stroke Length (mm)	Power KW(HP)	Inlet&Outlet Size	Connection Size
	Flow (lph)	Flow (gph)	SPM	Flow (gph)	Flow (lph)	SPM	(Bar)	(Psi)						
JYSD 40/35	40	11	100	13	48	120	350	5075	16	110	40	3(4)	DN10	DN10 WN
JYSD 63/35	63	17		20	76		350	5075	16	110				
JYSD 80/30	80	21		25	96		300	4350	18	130				
JYSD 100/26	100	26		32	120		260	3770	20	130				
JYSD 125/23	125	33		40	150		230	3335	22	130				
JYSD 160/18	160	42	150	51	192	180	180	2610	25	130	40	3(4)	DN15	DN15 WN
JYSD 240/12	240	63		76	288		120	1740	30	130				
JYSD 260/11	260	69		82	312		110	1595	32	130				
JYSD 340/8.5	340	90		108	408		85	1233	36	150				
JYSD 420/6.8	420	111		133	504		68	986	40	150				
JYSD 540/5.6	540	143	180	171	648	210	56	812	45	170	40	3(4)	DN20	DN20 RF
JYSD 670/4.5	670	177		212	804		45	653	50	170				
JYSD 820/3.8	820	217		260	984		38	551	55	170				
JYSD 980/3.2	980	259		311	1176		32	464	60	180				
JYSD 1100/2.8	1100	291		349	1320		28	406	63	180				
JYSD 1160/2.6	1160	306	210	368	1392	240	26	377	65	190	40	3(4)	DN25	DN25 RF
JYSD 1350/2.3	1350	357		428	1620		23	334	70	190				
JYSD 1550/2.0	1550	410		491	1860		20	290	75	200				
JYSD 1800/1.8	1800	476		571	2160		18	261	80	220				

## JYDR Series

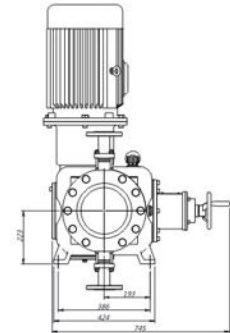
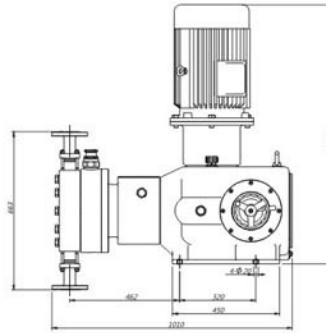


### Parameter Table

Model	50Hz			60Hz			Pressure		Piston Dia. (mm)	Diaphragm Dia. (mm)	Stroke Length (mm)	Power KW(HP)	Inlet&Outlet Size	Connection Size
	Flow (lph)	Flow (gph)	SPM	Flow (gph)	Flow (lph)	SPM	(Bar)	(Psi)						
JYDR 90/40	90	24	96	29	108	115	400	5800	20	150	60	5.5(7.5)	DN15	DN15 WN
JYDR 140/40	140	37		44	168		400	5800	20	150				
JYDR 220/32	220	58		70	264		320	4640	25	150				
JYDR 315/22	315	83		100	378		220	3190	30	150				
JYDR 360/20	360	95		114	432		200	2900	32	150	60	5.5(7.5)	DN20	DN20 WN
JYDR 480/15	480	127		152	576		150	2175	36	170				
JYDR 600/12	600	159		190	720		120	1740	40	170				
JYDR 750/10	750	198		238	900		100	1450	45	170				
JYDR 960/8.0	960	254		304	1152		80	1160	50	190	60	5.5(7.5)	DN25	DN25 RF
JYDR 1200/6.5	1200	317	144	380	1440	173	65	943	55	190				
JYDR 1450/5.5	1450	383		460	1740		55	798	60	200				
JYDR 1550/5.0	1550	410		491	1860		50	725	63	200				
JYDR 1650/4.6	1650	436		523	1980		46	667	65	220	60	5.5(7.5)	DN32	DN32 RF
JYDR 1920/4.0	1920	507		609	2304		40	580	70	220				
JYDR 2240/3.5	2240	592		710	2688		35	508	75	240				
JYDR 2550/3.0	2550	674		808	3060		30	435	80	240				
JYDR 2880/2.8	2880	761		913	3456		28	406	85	260	60	5.5(7.5)	DN40	DN40 RF
JYDR 3250/2.4	3250	859		1030	3900		24	348	90	260				
JYDR 3600/2.2	3600	951		1141	4320		22	319	95	280				
JYDR 4000/2.0	4000	1057		1268	4800		20	290	100	280				
JYDR 4900/1.6	4900	1295		1554	5880		16	232	110	280				



## JYT Series



### Parameter Table

Model	50Hz			60Hz			Pressure		Piston Dia. (mm)	Diaphragm Dia. (mm)	Stroke Length (mm)	Power KW(HP)	Inlet&Outlet Size	Connection Size
	Flow (lph)	Flow (gph)	SPM	Flow (gph)	Flow (lph)	SPM	(Bar)	(Psi)						
JYT 180/40	180	48	96	57	216	115	400	5800	25	170	80	11(15)	DN15	DN15 WN
JYT 260/35	260	69		82	312		350	5075	30	170				
JYT 300/30	300	79		95	360		300	4350	32	180				
JYT 390/24	390	103		124	468		240	3480	36	180				
JYT 480/20	480	127		152	576		200	2900	40	190				
JYT 600/15	600	159		190	720		150	2175	45	190				
JYT 780/12	780	206		247	936		120	1740	50	200				
JYT 950/12	950	251		301	1140		100	1450	55	200				
JYT 1100/8.5	1100	291		349	1320		85	1233	60	220				
JYT 1250/8.0	1250	330		396	1500		80	1160	63	220				
JYT 1300/7.5	1300	343		412	1560		75	1088	65	240				
JYT 1500/6.3	1500	396		476	1800		63	914	70	240				
JYT 1800/5.5	1800	476		571	2160		55	798	75	240				
JYT 2000/4.8	2000	528		634	2400		48	696	80	260				
JYT 2300/4.3	2300	608		729	2760		43	624	85	260				
JYT 2650/3.8	2650	700		840	3180		38	551	90	260				
JYT 3000/3.5	3000	793		951	3600		35	508	95	280				
JYT 3300/3.1	3300	872		1046	3960		31	450	100	280				
JYT 4000/2.6	4000	1057		1268	4800		26	377	110	280				
JYT 4900/2.2	4900	1295		1554	5880		22	319	120	310				
JYT 5700/1.8	5700	1506	1807	6840	18	261	130	310						
JYT 6600/1.6	6600	1744	2092	7920	16	232	140	310						
JYT 7700/1.4	7700	2034	2441	9240	14	203	150	330						
JYT 8800/1.2	8800	2325	2790	10560	12	174	160	330						
JYT 10000/1.0	1000	2642	3170	12000	10	145	170	350						
													DN40	DN40 RF
													DN50	DN50 RF
													DN65	DN65 RF