

## MP-Z Mechanical Diaphragm Dosing Pump

In order to meet user's needs on metering pump products, the user should provide the following parameters as far as possible when choosing and ordering:

- A: Liquid  
 B: Flow rate (L/H);  
 C: System pressure (Mpa); H: Automatic (manual) control mode;  
 D: Medium temperature (°C) 1: External control signal type;  
 E: Transport medium viscosity (CP);

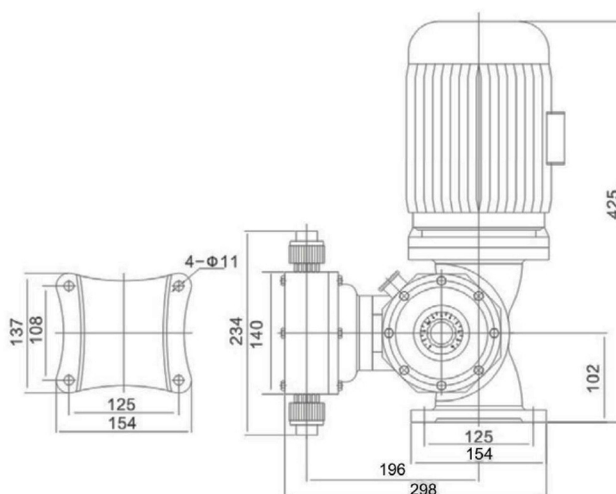
F: specific gravity;

G: Solid content;

Standard : pump head-PVC,  
 motor-380V 50Hz;

- Option: Pump Head 304、316、PTFE  
 420V, 220V and 110V motors  
 are available.

Explosion-proof motor, frequency  
 conversion motor;



### • Performance Parameters

MODEL	Max Flow rate (L/H)	Max Pressure (Mpa)	Stroke Speed (SPM)	Motor Powers (W)	Connections (mm)	Weight (KG)
MP-Z 25/1.0	25	1.2	48	0.37	d:10 D:14 PE Hose	22
MP-Z 50/1.0	50	1.2	48	0.37		
MP-Z 80/0.7	80	0.7	96	0.37	DN15	
MP-Z 120/0.7	120	0.7	96			
MP-Z 170/0.7	170	0.7	96			
MP-Z 240/0.7	240	0.7	96			
MP-Z 320/0.5	320	0.5	144	0.55	DN25	28
MP-Z 420/0.5	420	0.5	144			
MP-Z 500/0.5	500	0.5	144			