

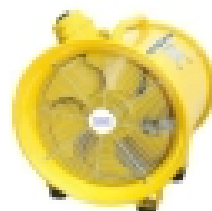
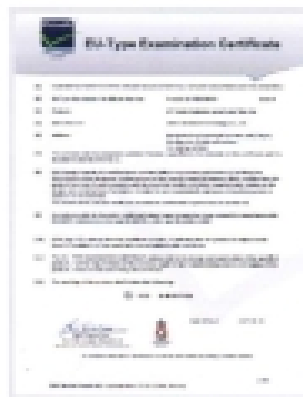
# Explosion Proof Portable Ventilaion Fans

**AQUA**  
SYSTEM CO.,LTD.

**AQUASYSTEM (THAILAND) CO.,LTD.**



**Remark: Product for international market**



EPR-08-I (12-I)



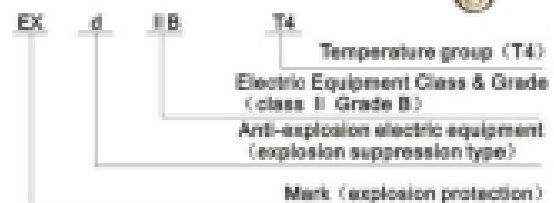
EPR-16-I



EPR-24-I

Type : Axial Flow Fan  
Blade Material : aluminum alloy  
Electric Current Type : AC  
Certification : CCC, CE, GS, CE,CCC

**อุปกรณ์เสริม (Options)**  
- หลอดลม Flexible Duct  
- ถุงเก็บฝุ่น Filter Bag

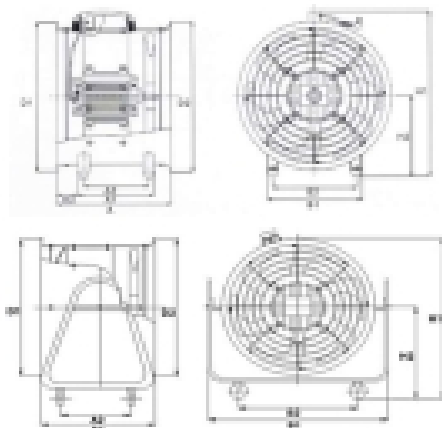


## Specifications

Model No.	Diameter (mm)	Voltage (V)	Frequency (Hz)	Speed (r/min)	Power (W)	Capacity (m <sup>3</sup> /min)	Air Flow (cfm)	Static (pa)	Noise dB(A)	Weight (kg)
EPR-08-I	200 (8")	220	50/60	2800	180	25	900	245/295	61	12
EPR-12-I	300 (12")	220	50/60	2800	500	65	2340	385/450	69	15
EPR-16-I	400 (16")	220	50/60	2800	1100	105	3780	700/780	79	26
EPR-24-I	600 (24")	220	50/60	1400	1800	240	8640	480/540	77	68

## Product Description

The explosion-proof industrial fan applied in the condition of explosion-proof gas compound with factory II type ,Grade A,B and the temperature T1-T4.It widely used for ventilation and sunstroke in office, oil, military industry, chemical industry, medicine, metallurgy, etc.We also get explosion-proof certificate. The impeller made of aluminum alloy,has strong points such as operate steadily, beauty appearance, rational structure, etc.The ATEX certificate is in progress



## Dimension (mm)

Model no.	D1	D2	H1	H2	A	A1	A2	B	B1	B2
EPR-08-I	Φ220	Φ272	325	160	345	247	210	40	210	170
EPR-12-I	Φ330	Φ380	425	220	380	265	225	60	265	220
EPR-16-I	Φ435	Φ480	670	430	/	450	295	/	575	325
EPR-24-I	Φ635	Φ635	870	530	/	570	415	/	775	525

**บริษัท อควาซิสเต็ม (ประเทศไทย) จำกัด**

81 ซอยกาญจนาภิเษก 001 ถนนกาญจนาภิเษก แขวงบางบอนใต้ เขตบางบอน กรุงเทพมหานคร 10150

โทร. 0-2898-8016-17 แฟกซ์: 0-2898-8018 Email: info@aqsys-thai.co.th