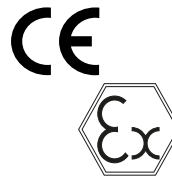


Model PF6661

1" Aluminum AODD Pump

- * Compatible with ARO® Pro Series model
- * Dimensionally interchangeable
- * Complete parts interchangeability
- * CE Certified
- * ATEX Certified



Compatible with the Following ARO® Models

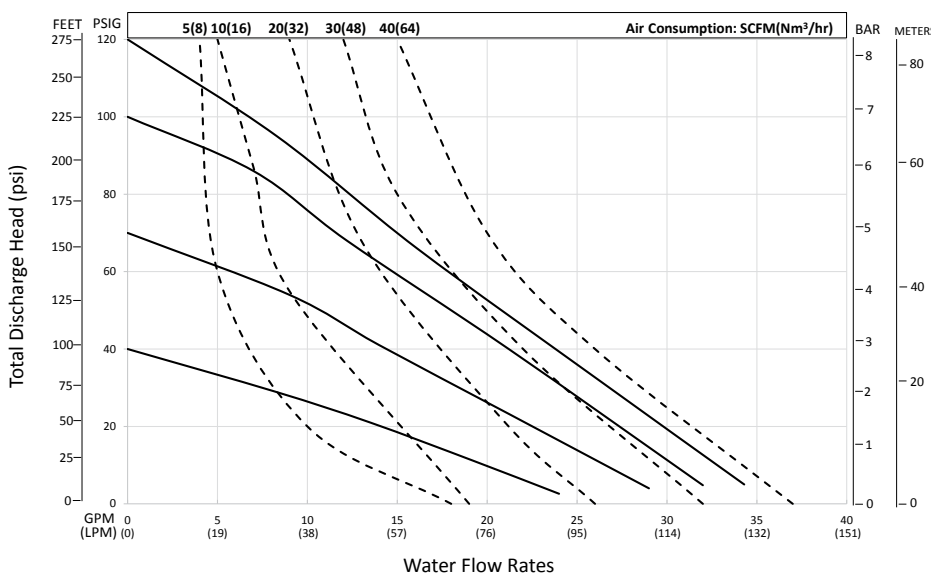
ARO® Part No.	Pump-Fit Part No.	Discharge Type
666100-344C	PF666100-344-C	FNPT
666100-3EB-C	PF666100-3EB-C	FNPT
666120-344-C	PF666120-344-C	FBSP
666120-3EB-C	PF666120-3EB-C	FBSP

Features

- 1 in FNPT or FBSP suction/discharge
- 1/4 in NPT air inlet
- Aluminum construction
- Santoprene® or PTFE balls and diaphragms
- Weight: 19.4 lb (8.8 kg)

Santoprene® is a registered trademark of ExxonMobile Chemical Co.

PF6661 Performance



Capabilities

- **Max Flow:** 35 gpm (133 lpm)
- **Max Air Inlet Pressure:** 120 psi (8.3 bar)
- **Max Working Pressure:** 120 psi (8.3 bar)
- **Max Material Inlet Pressure:** 10 psi (0.69 bar)
- **Max Air Consumption:** 40 SCFM (19 l/sec)
- **Noise Level:** 71 dBA
- **Displacement per stroke:**
 - 0.16 gal (0.6 l) Santoprene®
 - 0.14 gal (0.53 l) PTFE
- **Max Particle Size:** 1/8 in (3.2 mm)

Part Number Model Codes

PF666100-3EB-C, PF666100-344-C, PF666120-3EB-C, & PF666120-344-C

Model	(Air) Motor Body	Fluid Cap & Manifold	Seat Material	Ball Material	Diaphragm Material	
PF6661	0	0	3	E	B	C
PF6661	0	0	3	4	4	C
PF6661	2	0	3	E	B	C
PF6661	2	0	3	4	4	C
	(0-Aluminum/FNPT)	(0-Aluminum)	(3-Polypropylene)	(E-Santoprene)	(B-Santoprene)	
	(2-Aluminum/FBSP)			(4-PTFE)	(4-PTFE/Santoprene)	

Pump-Fit Replacement Parts

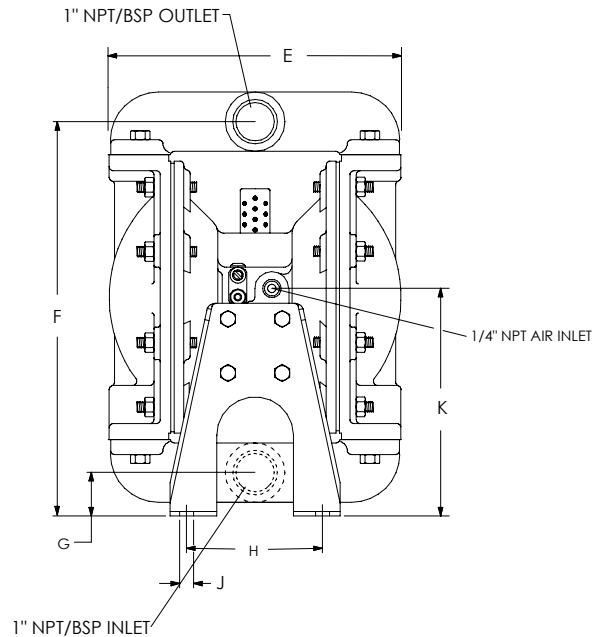
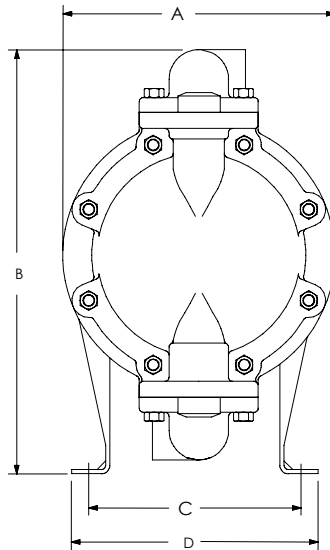
ARO® Part No.	Pump-Fit Part No.	Description
637119-EB-C	PF 637119-EB-C	Wet End Kit, Santoprene®
637119-44-C	PF637119-44-C	Wet End Kit, PTFE
637118-C	PF637118-C	Air End Kit

Temperature Range for Internal Materials

Material	Maximum	Minimum
Polypropylene	175°F (79° C)	35°F (2° C)
Santoprene®	225°F (107° C)	-40°F (-40° C)
PTFE	225°F (107° C)	40°F (4° C)

PF666100 Dimensions

- A - 8.00" (203mm)
- B - 12.50" (318 mm)
- C - 6.25" (159 mm)
- D - 7.31" (186 mm)
- E - 8.56" (217 mm)
- F - 11.56" (294 mm)
- G - 1.25" (32 mm)
- H - 4.00" (102 mm)
- J - 0.41" (10 mm)
- K - 6.50" (165 mm)



ARO® is a registered trademark of Ingersoll-Rand Company. Pump-Fit and its products are not affiliated with any of the original equipment manufacturers referenced herein. All original equipment manufacturers' names, colors, descriptions, and part numbers are used for identification purposes only.

